



Columbus**JACK**/Regent



“The Strength of Experience”

Cranes & Hoists





Cranes & Hoists



-
- 750 Lb (*340 Kg*) Capacity “Knock-Down” Crane, Model 9504-010
 - 1,500 – 2,000 Lb (*680 – 907 Kg*) Capacity Portable Cranes
 - 8,000 Lb (*3,629 Kg*) Capacity Portable Engine Hoist, Model 9221-010



Model 9504-010





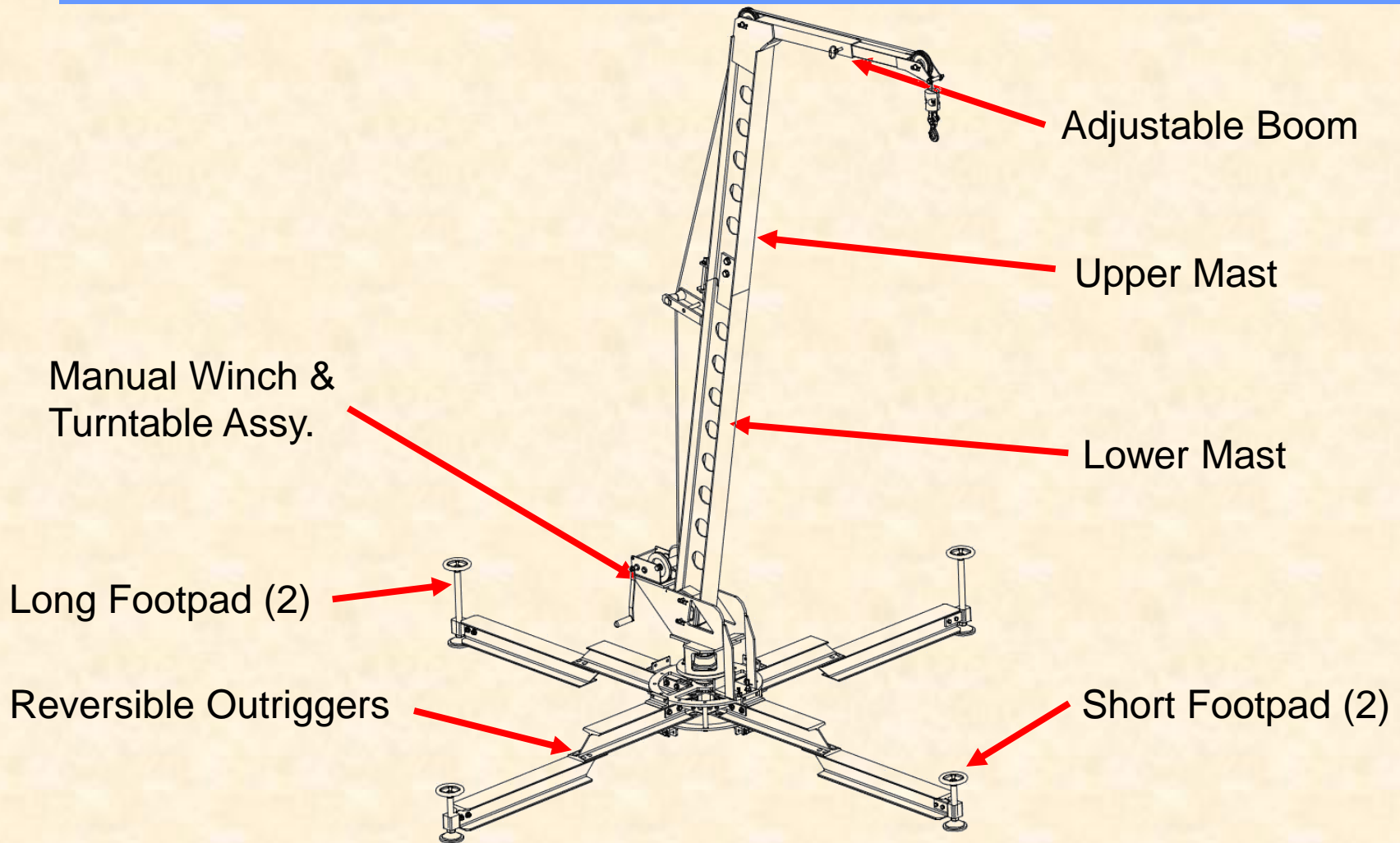
Model 9504-010



-
- Capacity 750 lbs (*340 kg*)
 - Maximum Hook Height 162 in (*411.5 cm*)
 - Hook Reach
 - 750 lb Capacity 70 – 74 in (*178 – 188 cm*)
 - 250 lb Capacity 82 in (*208 cm*)
 - Turntable Rotation 360°
 - Maximum Slope Operation 12°
 - Weight 590 lbs (*268 kg*)

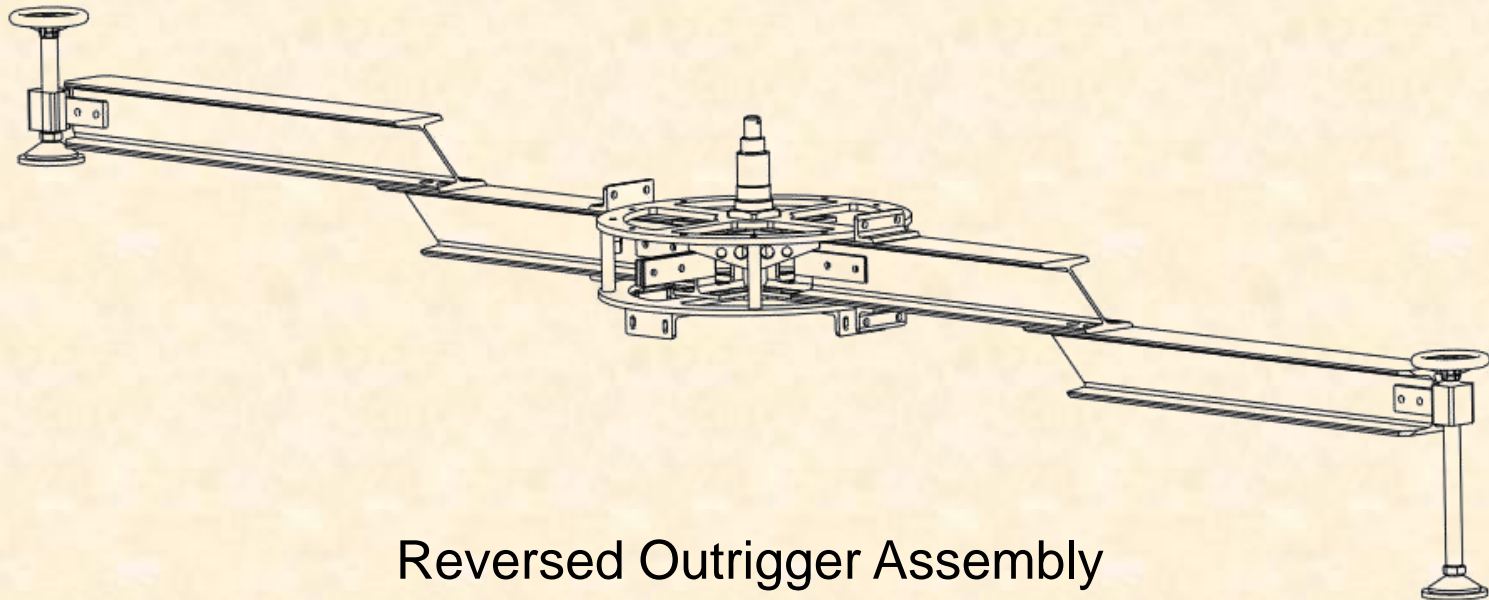


Model 9504-010





Model 9504-010



Reversed Outrigger Assembly
For Sloped Operation



Model 9504-010



“Knock Down”
Mode For Ease of
Shipping





Model 9504-010 Assembly



- Assemble outriggers to base.



- Assemble turntable to base.





Model 9504-010 Assembly



- Assemble mast and boom sections to turntable.
- Pay out cable to tip of boom.





Model 9504-010 Assembly



- Using hand winch, raise mast and boom assembly and pin in position.





Model 9504-010 Assembly

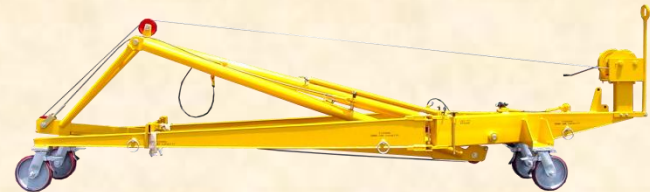


- Crane is now ready for use.





Portable Cranes





Portable Cranes

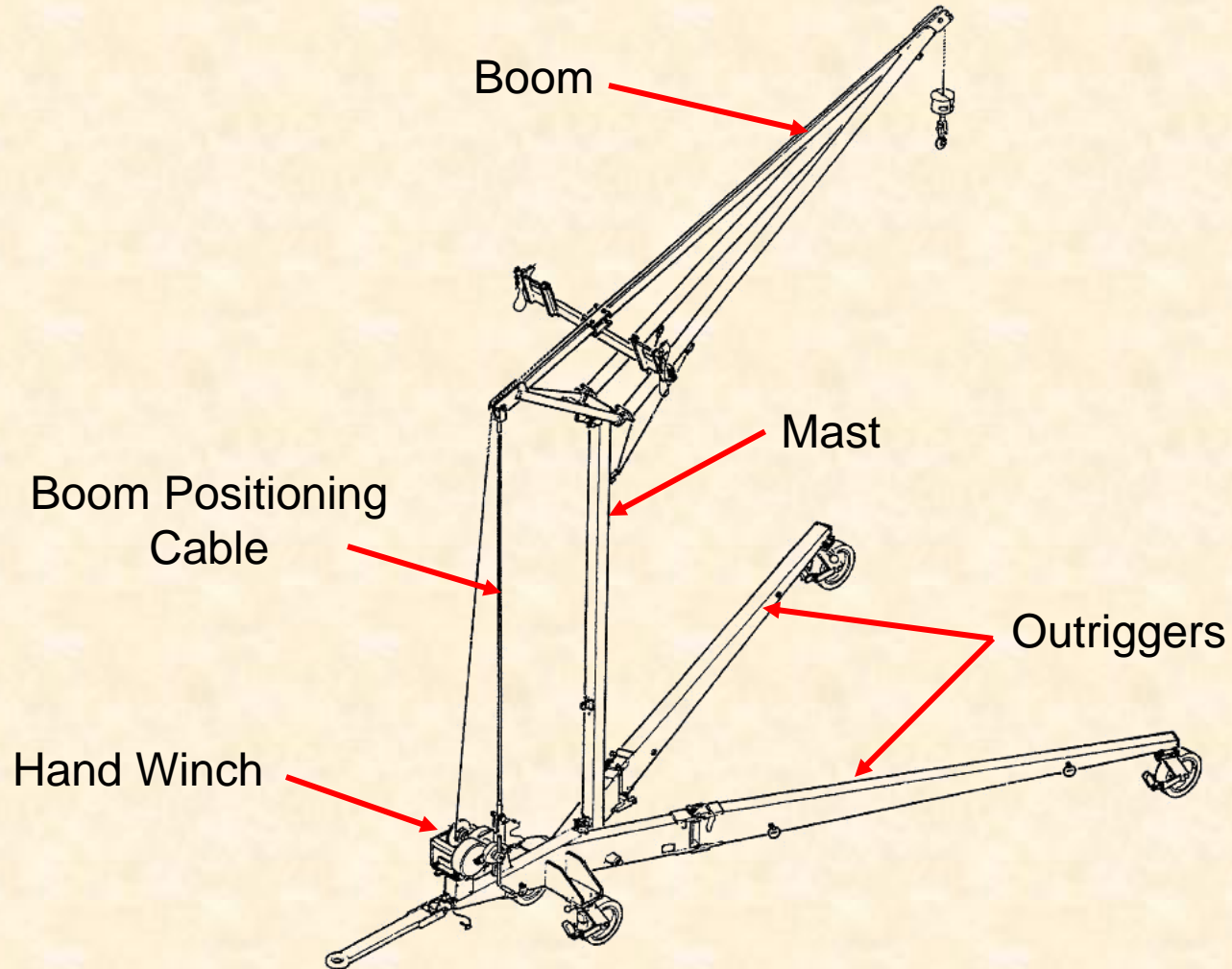


Portable Floor Crane Specifications

Model	8878-012			9319-010				9601-010				9609-010			
Capacity	2000 lb (907 kg)			1500 lb (680 kg)				1000 lb (454 kg)				2000 lb (907 kg)			
Max. Hook Height	117	155	176	216	222	228	234	246	252	258	264	297	303	309	315
in / cm	297	394	447	549	564	579	594	625	640	655	670	754	770	785	800
Max. Reach	91	204	222	127	123	119	115	127	123	119	115	127	123	119	115
in / cm	231	518	564	322	312	302	292	323	312	302	292	323	312	302	292

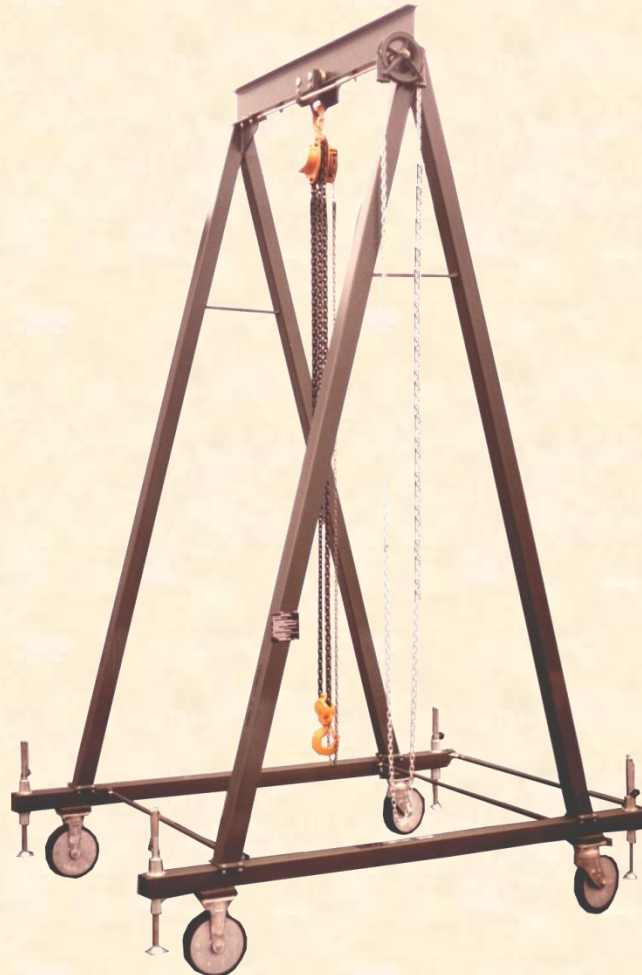


Portable Cranes





Model 9221-010





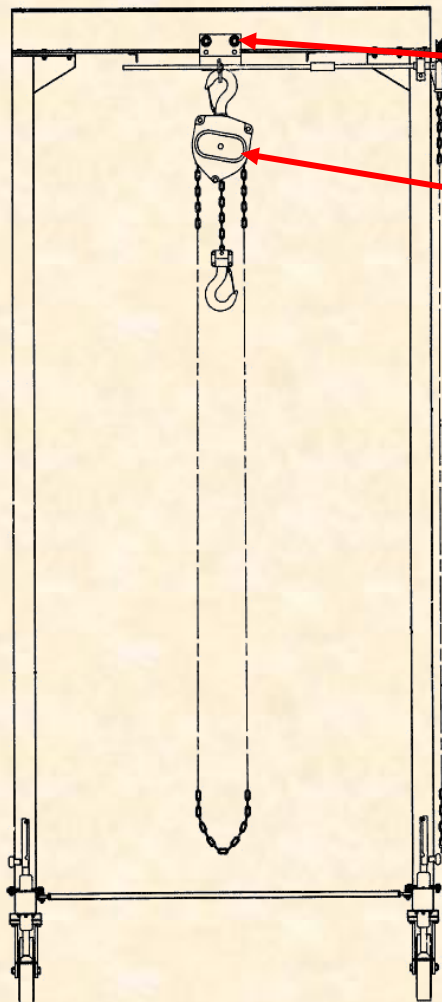
Model 9221-010



-
- Capacity 8,000 lbs (3,629 kg)
 - Maximum Hook Height 143 in (363 cm)
 - Carriage Travel 32.5 in (82.5 cm)
 - Towing Speed
 - Empty 5 mph (8 KmH)
 - Loaded 3 mph (5 KmH)
 - Weight 900 lbs (408 kg)



Model 9221-010

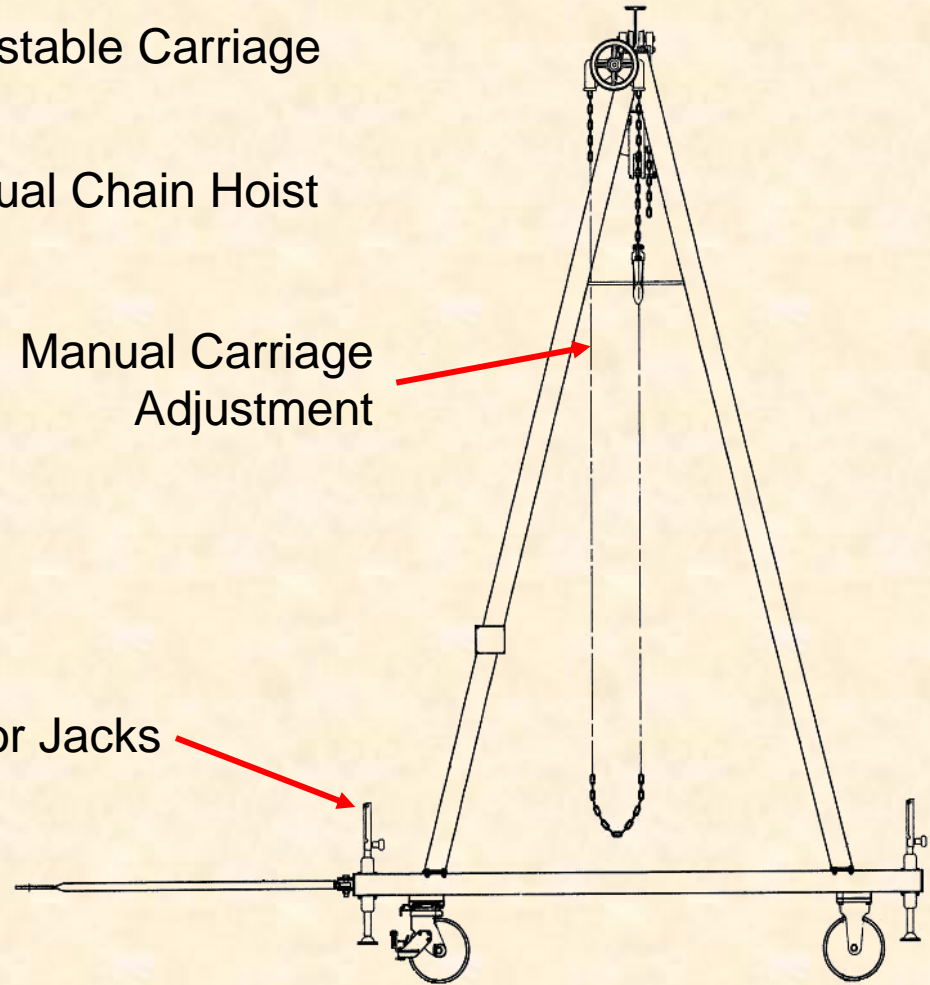


Adjustable Carriage

Manual Chain Hoist

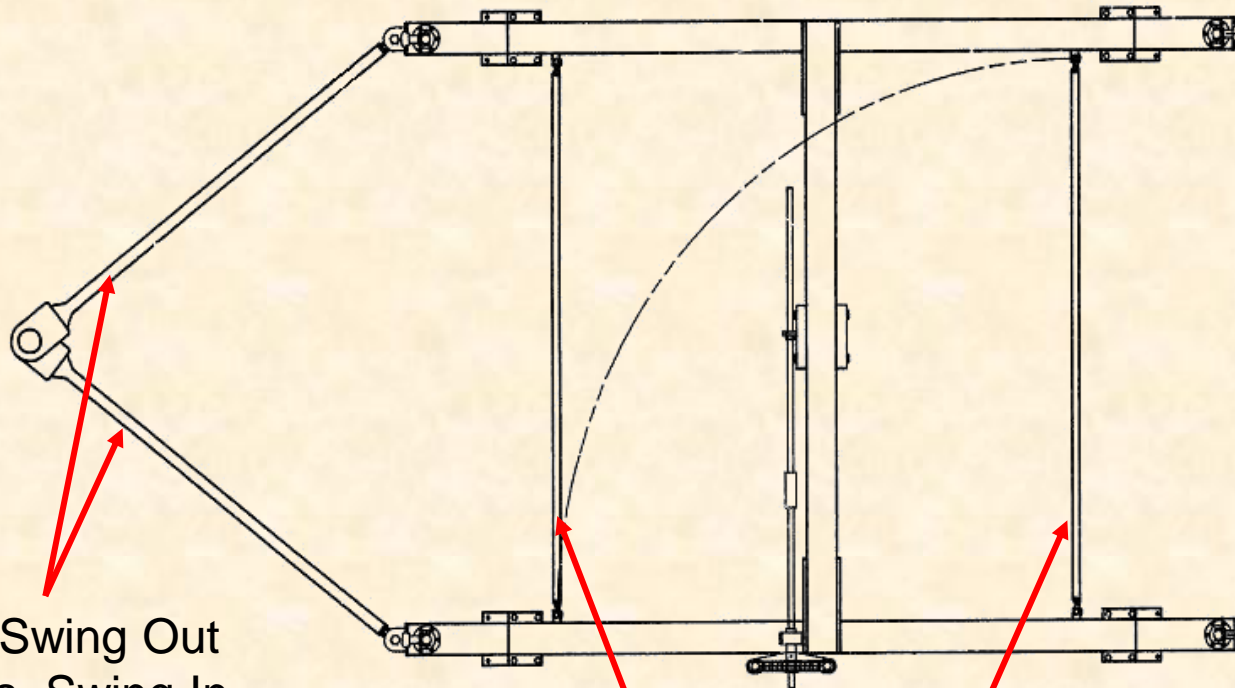
Manual Carriage Adjustment

Floor Jacks





Model 9221-010



Towbars Swing Out
for Access, Swing In
for Towing

Cross Braces Disconnect
for Crane Access, Connect
for Stability During Towing



Columbus**JACK**/Regent



“The Strength of Experience”

