



# Columbus**JACK**/Regent



*“The Strength of Experience”*

## Nitrogen / Oxygen Carts





# ***Nitrogen & Oxygen Carts***



- 
- 3 bottle capacity.
  - Bottle storage rack tilts vertical for ease of bottle removal and installation.
  - Towable at 20 mph (*32 KmH*).
  - Automatic parking brake when towbar stowed in upright position.
  - Manifold allows independent control of each bottle.



# *Nitrogen & Oxygen Carts*



- Optional gas booster available to maintain constant pressure as bottles are depleted.

Operates from air or nitrogen



# Nitrogen Cart

Model 7046-011

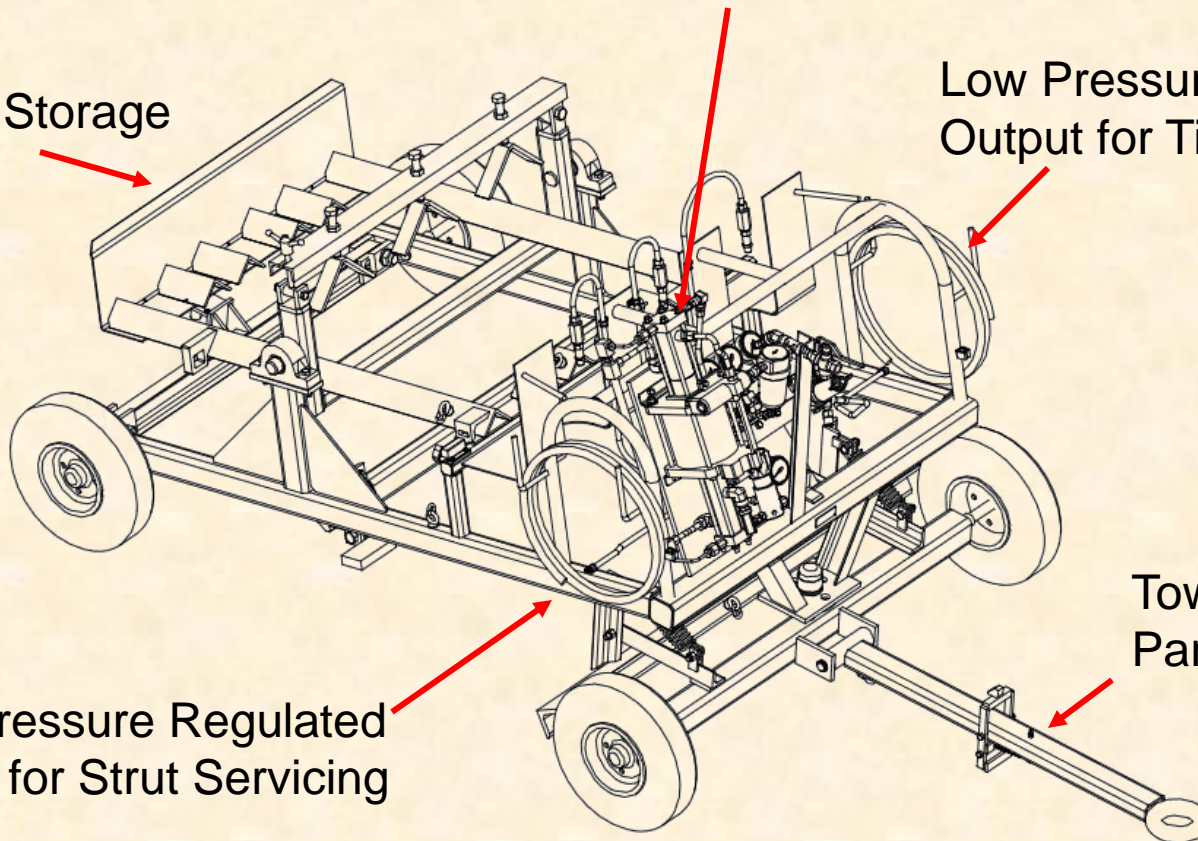
Optional Gas Booster

Bottle Storage  
Rack

Low Pressure Regulated  
Output for Tire Servicing

High Pressure Regulated  
Output for Strut Servicing

Towbar Actuated  
Parking Brake

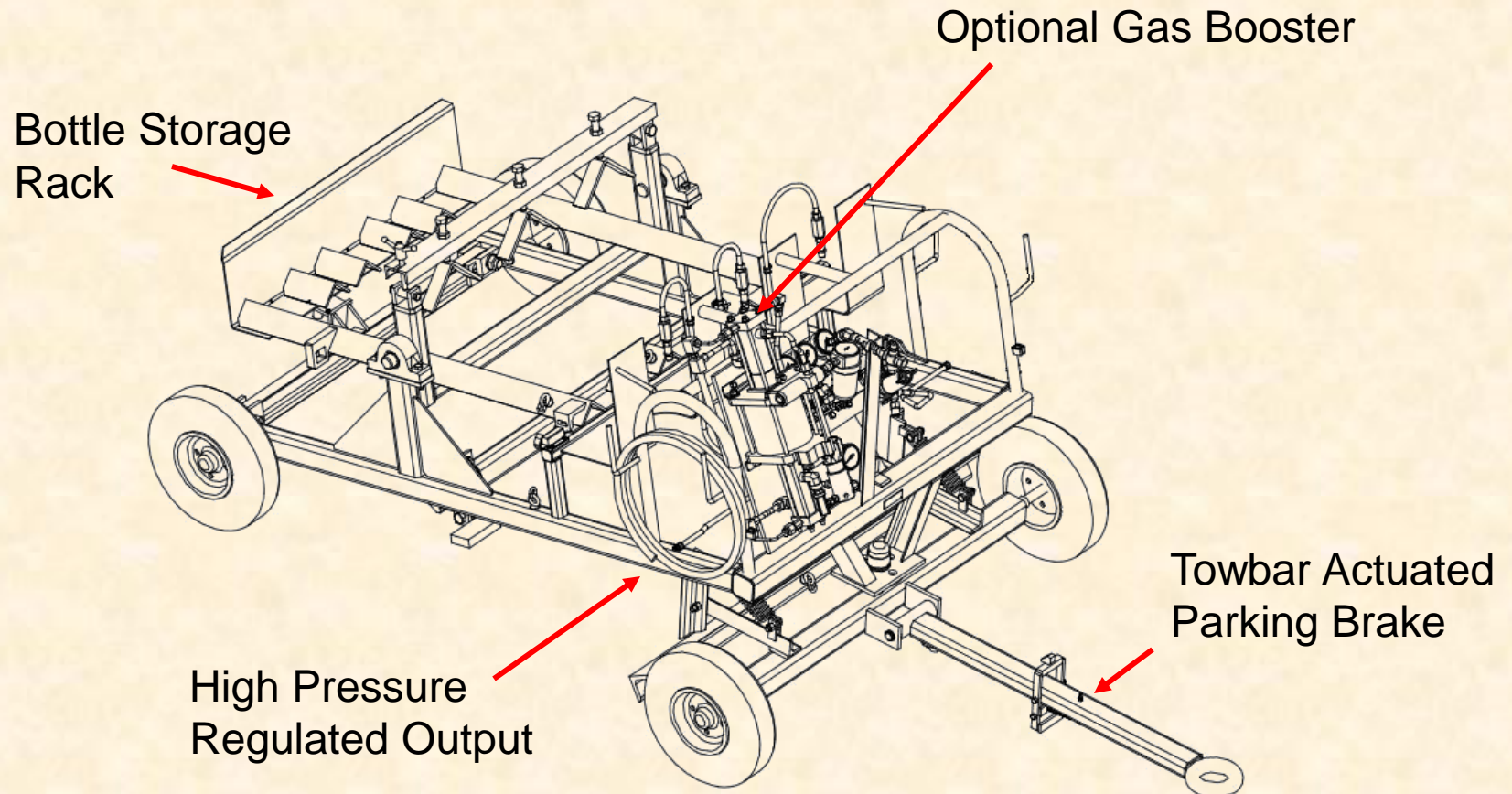




# Oxygen Cart



Model 7090-011







# Columbus**JACK**/Regent



*“The Strength of Experience”*

---

