



ISO 9001:2008

Columbus JACK/Regent

"The Strength of Experience"

PRODUCT DATA SHEET

FLY-A-WAY AXLE JACK

Model 6510-56FT, 65 Ton Capacity

Standard Features

- ◆ Manual Hand Pump
- ◆ Air Powered Pumping Unit
- ◆ Evac-U-Tract™-Air Assisted Ram Retraction
- ◆ Mechanical Positioning Handle
- ◆ Single Roller for ease of Positioning
- ◆ Skydrol Resistant Yellow Paint

Documentation

- ◆ Operation and Maintenance Manual
- ◆ Certificate of Conformance
- ◆ Load Test Report
- ◆ Factory New – 12 Month Warranty



Our 65 Ton Fly-A-Way Axle Jack was designed to meet jacking specifications for normal flat tire/wheel and brake replacement, for both main and nose landing gears of most narrow and wide body airplanes. This jack provides maximum capacity within a light weight and compact configuration for air transportability to remote jacking sites. Its single wheel and pump/positioning handle provides an easy method in maneuvering the jack under aircraft jacking points. Our Fly-A-Way Axle Jack is completely self-contained with manual and air powered pumping units. The *Evac-U-Tract™* provides an air assisted method of retracting the rams back down into the cylinder, allowing easy removal of the jack out from under the jacking point.

FLY-A-WAY AXLE JACK SPECIFICATIONS

VERTICAL CAPACITY (Tons/m tonnes)	MINIMUM HEIGHT (Inches/mm)	HYDRAULIC LIFT (Inches/mm)	SCREW EXTENSION (Inches/mm)	MAXIMUM EXTENDED HEIGHT (Inches/mm)	NET WEIGHT (Est.) (Lbs/kg)	CRATED WEIGHT (Est.) (Lbs/kg)	CRATE DIMENSIONS (Est. - L x W x H) (Inches/mm)	CU FT CRATED (Est.) (Cu ft/cu m)
65.0	10.25	10.75	4.25	25.25	300	350	30 x 14 x 14	4.6
59.0	260	273	108	641	137	159	762 x 356 x 356	0.1



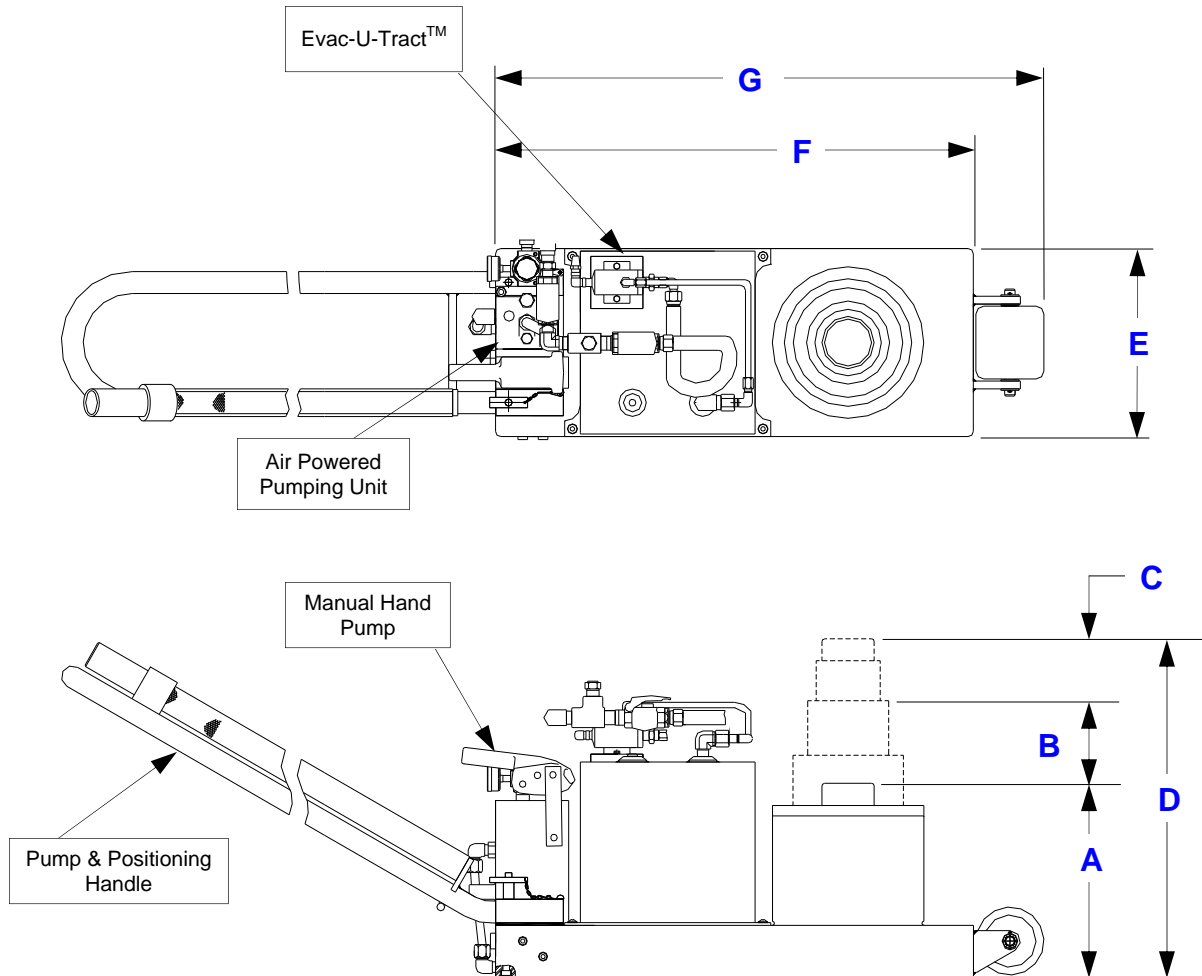
Columbus JACK/Regent

"The Strength of Experience"

ISO 9001:2008

FLY-A-WAY AXLE JACK

Model 6510-56FT, 65 Ton Capacity



FLY-A-WAY AXLE JACK SPECIFICATIONS							
	A	B	C	D	E	F	G
VERTICAL CAPACITY (Tons/m tonnes)	MINIMUM CLOSED HEIGHT (Inches/mm)	HYDRAULIC LIFT (Inches/mm)	SCREW EXTENSION (Inches/mm)	MAX EXTENDED HEIGHT (Inches/mm)	WIDTH OF BASE (Inches/mm)	LENGTH OF BASE (Inches/mm)	LENGTH OF JACK (Inches/mm)
65.0	10.25	10.75	4.25	25.25	9.0	23.0	26.2
59.0	260	273	108	641	229	584	665