



ColumbusJACK/Regent

“The Strength of Experience”

PRODUCT DATA SHEET

FLY-A-WAY AXLE JACK

Model 9510-56FT, 95 Ton Capacity

Standard Features

- ◆ Manual Hand Pump
- ◆ Air Powered Pumping Unit
- ◆ Evac-U-Tract™-Air Assisted Ram Retraction
- ◆ Mechanical Positioning Handle
- ◆ Single Roller for ease of Positioning
- ◆ Skydrol Resistant Yellow Paint

Documentation

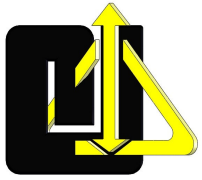
- ◆ Operation and Maintenance Manual
- ◆ Certificate of Conformance
- ◆ Load Test Report
- ◆ Factory New – 12 Month Warranty



Our 95 Ton Fly-A-Way Axle Jack was designed to meet jacking specifications for normal flat tire/wheel and brake replacement, for both main and nose landing gears of most narrow and wide body airplanes. This jack provides maximum capacity within a light weight and compact configuration for air transportability to remote jacking sites. Its single wheel and pump/positioning handle provides an easy method in maneuvering the jack under aircraft jacking points. Our Fly-A-Way Axle Jack is completely self-contained with manual and air powered pumping units. The *Evac-U-Tract™* provides an air assisted method of retracting the rams back down into the cylinder, allowing easy removal of the jack out from under the jacking point.

FLY-A-WAY AXLE JACK SPECIFICATIONS

VERTICAL CAPACITY (Tons/m tonnes)	MINIMUM HEIGHT (Inches/mm)	HYDRAULIC LIFT (Inches/mm)	SCREW EXTENSION (Inches/mm)	MAXIMUM EXTENDED HEIGHT (Inches/mm)	NET WEIGHT (Est.) (Lbs/kg)	CRATED WEIGHT (Est.) (Lbs/kg)	CRATE DIMENSIONS (Est. - L x W x H) (Inches/mm)	CU FT CRATED (Est.) (Cu ft/cu m)
95.0	10.0	11.0	5.0	26.0	325	400	50 x 15 x 22	9.5
86.2	254	279	127	660	147	181	1,270 x 381 x 559	03



ColumbusJACK/Regent

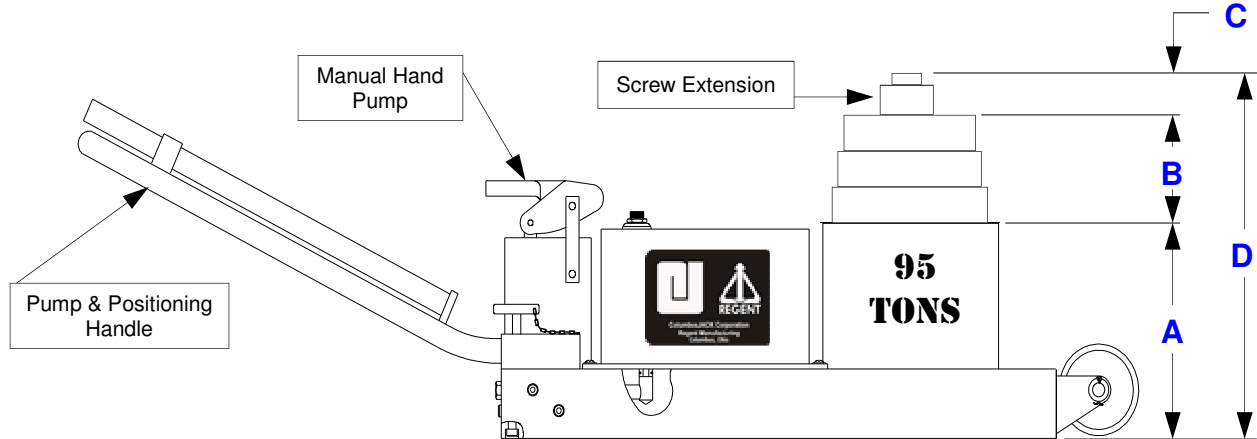
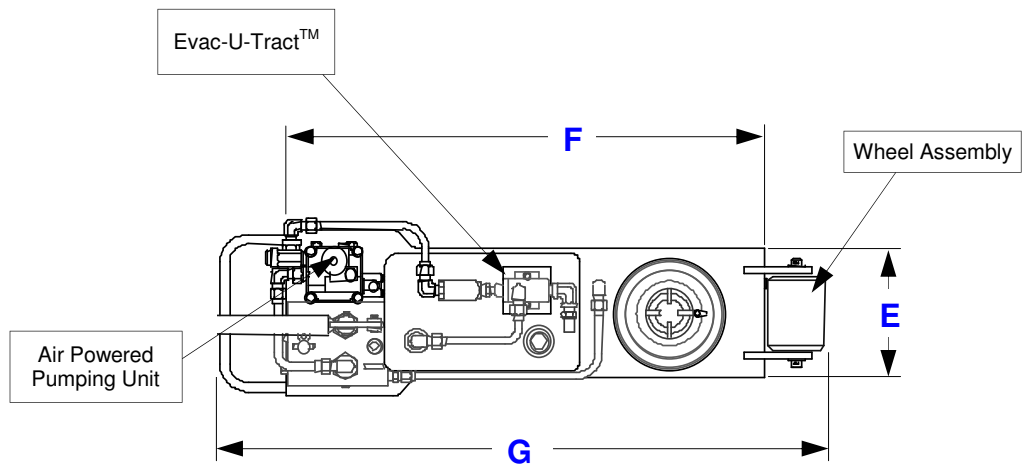
"The Strength of Experience"

ISO 9001:2008

FLY-A-WAY AXLE JACK

Model 9510-56FT, 95 Ton Capacity

JACKING APPLICATIONS			
NLG	MLG	NLG	MLG
A300	A300	B767	B767
A310	A310	B777	B777
A330	A330	DC10	DC10
A340	A340	MD11	MD11
B747	B747	L1011	L1011
B747-8	B747-8	---	---



FLY-A-WAY AXLE JACK SPECIFICATIONS							
	A	B	C	D	E	F	G
VERTICAL CAPACITY (Tons/m tonnes)	MINIMUM CLOSED HEIGHT (Inches/mm)	HYDRAULIC LIFT (Inches/mm)	SCREW EXTENSION (Inches/mm)	MAX EXTENDED HEIGHT (Inches/mm)	WIDTH OF BASE (Inches/mm)	LENGTH OF BASE (Inches/mm)	LENGTH OF JACK (Inches/mm)
95.0	10.0	11.0	5.0	26.0	10.0	35.0	42.0
86.2	254	279	127	660	254	889	1,067