



Columbus JACK/Regent

"The Strength of Experience"

PRODUCT DATA SHEET RHINO AXLE JACK Model 5004-55, 50 Ton Capacity

Standard Features

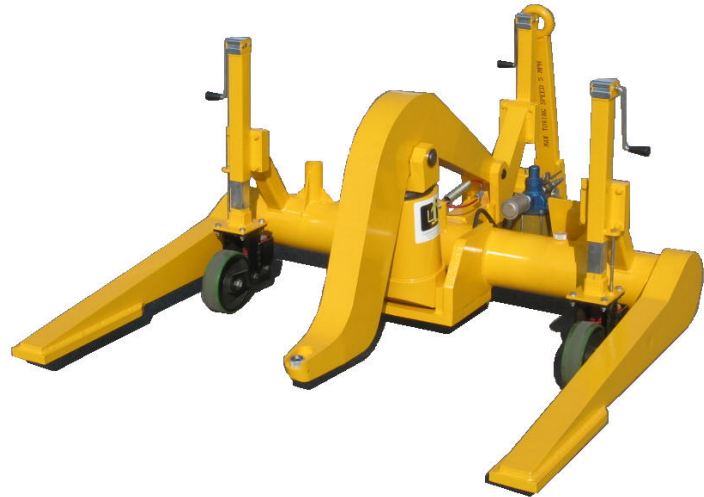
- ◆ 50 Ton Capacity
- ◆ Dual Manual Hand Pump
- ◆ Air Powered Pumping Unit
- ◆ Mechanical Lock Nut
- ◆ Single External Relief Valve
- ◆ Tow Bar Assembly - Maximum Towing Speed 5 MPH
- ◆ 8" Diameter Casters with Poly Tread
- ◆ Skydrol Resistant Yellow Paint

Documentation

- ◆ Operation & Maintenance Manual
- ◆ Certificate of Conformance
- ◆ Load Test Report
- ◆ Factory New - 12 Month Written Warranty

Available Optional Equipment

- ◆ 1038-4000 Wheel/Brake Crane and Sling Assembly



The Rhino Jack is designed for use with multiple flat tires where minimum clearance is available. With excellent mobility characteristics it is easily positioned under the aircraft. Mechanical safety lock nuts permit two or more wheels to be removed simultaneously. It is available with optional sling and crane assembly to remove wheels and brakes from axle.

MODEL 5004-55 RHINO AXLE JACK SPECIFICATIONS							
VERTICAL CAPACITY (Tons/m tones)	MINIMUM HEIGHT (Inches/mm)	HYDRAULIC LIFT (Inches/mm)	MAXIMUM EXTENDED HEIGHT (Inches/mm)	NET WEIGHT (Est.) (Lbs/kg)	CRATED WEIGHT (Est.) (Lbs/kg)	CRATE DIMENSIONS (Est. - L x W x H) (Inches/mm)	CU FT CRATED (Est.) (Cu ft/cu m)
50.0	4.0	20.5	24.5	3,875	4,000	86 x 96 x 45	215
45.4	102	521	622	1,796	1,854	2,184 x 2,438 x 1,143	6



Columbus JACK/Regent

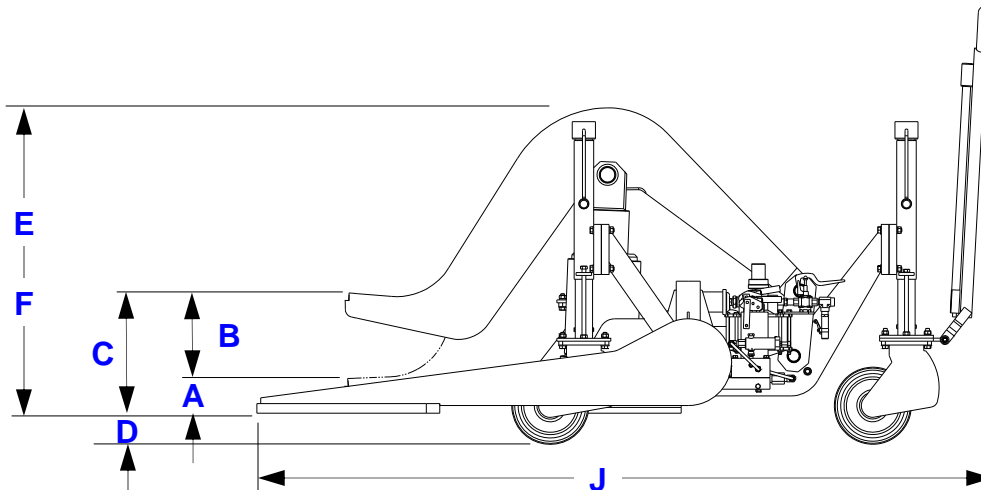
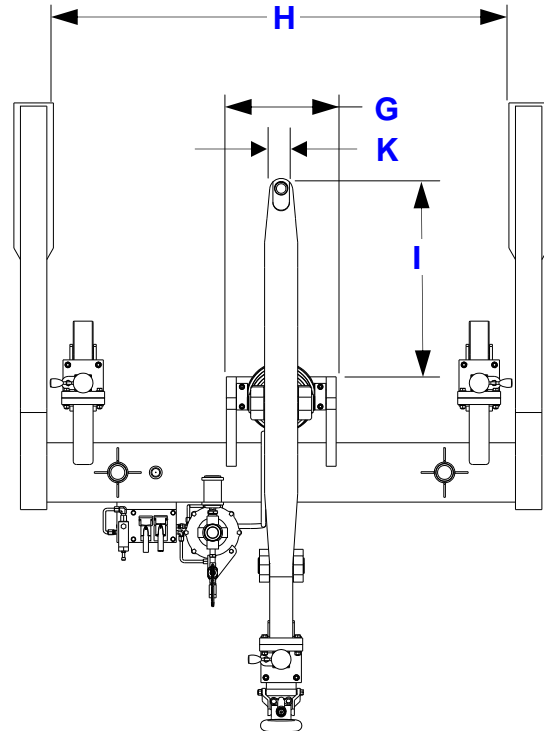
"The Strength of Experience"

ISO 9001:2008

RHINO AXLE JACK

Model 5004-55, 50 Ton Capacity

JACKING APPLICATIONS					
NLG	MLG	NLG	MLG	NLG	MLG
-	ATR42	A330	-	B777	-
-	ATR72	A340	-	Bae146	Bae146
A300	A300	B717	B717	DC9	DC9
A310	A310	B727	B727	MD11	-
A318	A318	B737	B737	MD80	MD80
A319	A319	B747	-	DC10	-
A320	A320	B757	B757	L1011	-
A321	A321	B767	B767	-	-



RHINO AXLE JACKS SPECIFICATIONS											
	A	B	C	D	E	F	G	H	I	J	K
VERTICAL CAPACITY (Tons/m tonnes)	MIN HEIGHT (Inches/mm)	HYD LIFT (Inches/mm)	MAX EXT HEIGHT (Inches/mm)	GROUND CLEAR. (Inches/mm)	HT OF JACK UP (Inches/mm)	HT OF JACK DOWN (Inches/mm)	WIDTH JACK BASE (Inches/mm)	WIDTH OF JACK (Inches/mm)	REACH DEPTH BASE (Inches/mm)	OVER ALL LENGTH (Inches/mm)	WIDTH OF ARM (Inches/mm)
50.0	4.0	20.5	24.5	4.0	49.5	31.5	16.5	69.0	28.0	93.0	5.0
45.4	102	521	622	102	1,257	800	419	1,753	711	2,362	127